

Leica DMD108

Digital Microimaging Device

Technical Documentation

Leica DMD108 Key Specifications

■ Imaging:

Frame Rate:	12 fps (1x1), 17 fps (2x2), + optional adaptive binning for stage users
Format:	1280 x 960 Live, 3MP Still
Contrasts:	transmission, pol, incident (macro)
Magnification:	4x, 10x, 20x, 40x, 63x (Oil), 100x (Oil)
Illumination:	pulsed diode illumination for seamless motion imaging using a sequential shutter. control of illumination and aperture
Storage:	64 MB RAM, extensible by USB, network drives

■ Microscopy:

Revolver:	motorized, 6 slot, M25
XY:	manual, coax, integrated condenser
Z-Focus:	manual by hand wheel
Macro:	0.3x reflection to image label 0.3x transmission for overview imaging

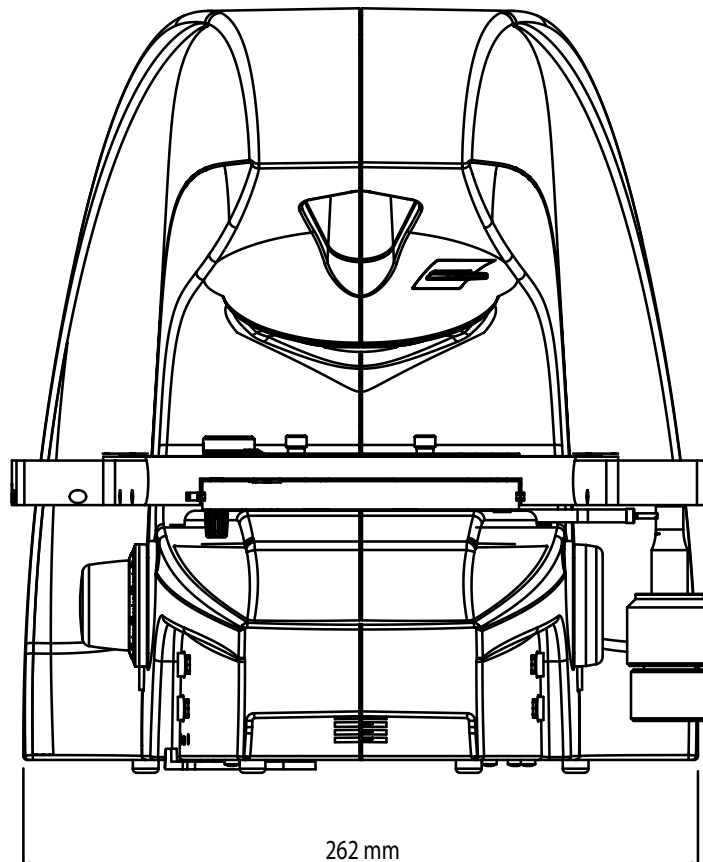
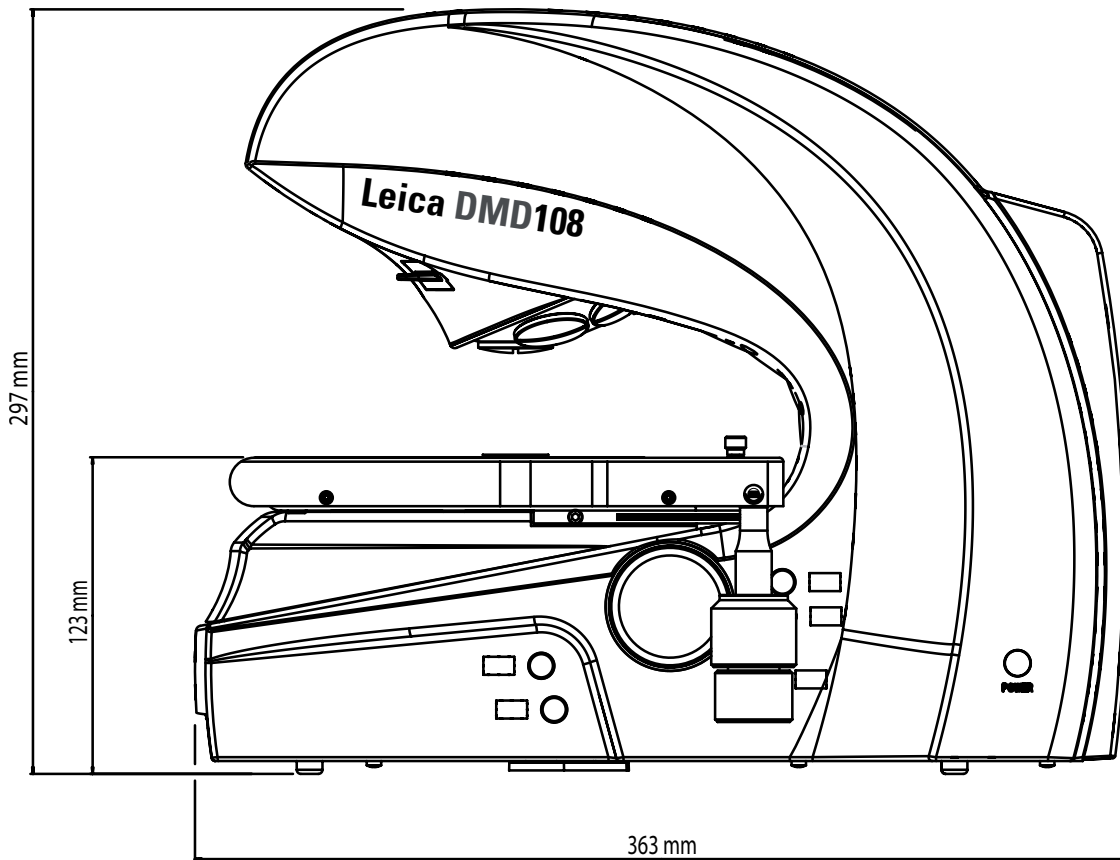
■ Interfaces:

Video Signal:	2x DVI (for monitors, fast beamer)
Network:	standard ethernet, USB (peer to peer)
Database:	Leica interface for 3rd party vendors saving on network drives
Foot Switch:	free programmable function
Button Control:	10 free programmable button controls

■ Embedded Software:

Setup:	exposure, gain, offset, color adjustment adaptive binning for still & live, micro & macro imaging objective & button configuration power down illumination dependent on idle time
Live:	objective selection intensity & aperture control overview image with position visualization image capture
Data:	image gallery (local or remote) freely definable data fields, name, ID-number etc.
Imaging:	scalebar geometrical measurements (line, circles, polygon, angle) annotation (arrows, date/time, free text)
Connectivity:	send mail (for easy remote exchange) save to network drive
Workflows:	free slide and snapshot workflow use stage and snapshot workflow

The rights to use this product are limited to research use only and it is not otherwise available for sale in the United States.



Weight without monitor: 10,5 kg
Weight with monitor: 15,0 kg

Leica Microsystems – the brand for outstanding products

Leica Microsystems operates internationally in four divisions, where we rank with the market leaders.

● Life Science Research Division

Leica Microsystems' Life Science Research Division supports the imaging needs of the scientific community with advanced innovation and technical expertise for the visualization, measurement and analysis of microstructures. Our strong focus on understanding scientific applications puts Leica Microsystems' customers at the leading edge of science.

● Industry Division

The Leica Microsystems Industry Division's focus is to support customers' pursuit of the highest quality end result by providing the best and most innovative imaging systems for their needs to see, measure and analyze the microstructures in routine and research industrial applications, in materials science and quality control, in forensic science investigations, and educational applications.

● Biosystems Division

The Biosystems Division of Leica Microsystems brings histopathology labs and researchers the highest-quality, most comprehensive product range. From patient to pathologist, the range includes the ideal product for each histology step and high-productivity workflow solutions for the entire lab. With complete histology systems featuring innovative automation and Novocastra™ reagents, the Biosystems Division creates better patient care through rapid turnaround, diagnostic confidence and close customer collaboration.

● Surgical Division

The Leica Microsystems Surgical Division's focus is to partner with and support micro-surgeons and their care of patients with the highest-quality, most innovative surgical microscope technology today and into the future.

Leica Microsystems' mission is to be the world's first-choice provider of innovative solutions to our customers' needs for vision, measurement and analysis of micro-structures.

Leica, the leading brand for microscopes and scientific instruments, developed from five brand names, all with a long tradition: Wild, Leitz, Reichert, Jung and Cambridge Instruments. Yet Leica symbolizes innovation as well as tradition.

Leica Microsystems – an international company with a strong network of customer services

Australia:	North Ryde	Tel. +61 2 8870 3500	Fax +61 2 9878 1055
Austria:	Vienna	Tel. +43 1 486 80 50 0	Fax +43 1 486 80 50 30
Belgium:	Groot Bijgaarden	Tel. +32 2 790 98 50	Fax +32 2 790 98 68
Canada:	Richmond Hill/Ontario	Tel. +1 905 762 2000	Fax +1 905 762 8937
Denmark:	Herlev	Tel. +45 4454 0101	Fax +45 4454 0111
France:	Rueil-Malmaison	Tel. +33 1 47 32 85 85	Fax +33 1 47 32 85 86
Germany:	Wetzlar	Tel. +49 64 41 29 40 00	Fax +49 64 41 29 41 55
Italy:	Milan	Tel. +39 0257 4861	Fax +39 0257 40 3475
Japan:	Tokyo	Tel. +81 3 5421 2800	Fax +81 3 5421 2896
Korea:	Seoul	Tel. +82 2 514 65 43	Fax +82 2 514 65 48
Netherlands:	Rijswijk	Tel. +31 70 4132 100	Fax +31 70 4132 109
People's Rep. of China:	Hong Kong	Tel. +852 2564 6699	Fax +852 2564 4163
Portugal:	Lisbon	Tel. +351 21 388 9112	Fax +351 21 385 4668
Singapore		Tel. +65 6779 7823	Fax +65 6773 0628
Spain:	Barcelona	Tel. +34 93 494 95 30	Fax +34 93 494 95 32
Sweden:	Kista	Tel. +46 8 625 45 45	Fax +46 8 625 45 10
Switzerland:	Heerbrugg	Tel. +41 71 726 34 34	Fax +41 71 726 34 44
United Kingdom:	Milton Keynes	Tel. +44 1908 246 246	Fax +44 1908 609 992
USA:	Bannockburn/Illinois	Tel. +1 847 405 0123	Fax +1 847 405 0164

and representatives of Leica Microsystems
in more than 100 countries.