

Living up to Life

Leica
MICROSYSTEMS

Leica StereoZoom®

Microscopio estereoscópico | Información técnica



Datos técnicos, características de rendimiento

StereoZoom®	Leica S4 E	Leica S6	Leica S6 E	Leica S6 D
Sistema óptico, sin plomo	Greenough 12° utilizando la pieza central del objetivo con la mejor corrección	Greenough 12° utilizando la pieza central del objetivo con la mejor corrección	Greenough 12° utilizando la pieza central del objetivo con la mejor corrección	Greenough 12° utilizando la pieza central del objetivo con la mejor corrección
Zoom	4.8:1	6.3:1	6.3:1	6.3:1
Ángulo de observación	38°	60°	38°	38°
Protección contra descarga electrostática	Antiestático	Antiestático	Antiestático	Antiestático
Resistencia superficial específica	2×10 ¹¹ Ω/cuadrado, tiempo de descarga <2 segundos de 1 000 V a 100 V	2×10 ¹¹ Ω/cuadrado, tiempo de descarga <2 segundos de 1 000 V a 100 V	2×10 ¹¹ Ω/cuadrado, tiempo de descarga <2 segundos de 1 000 V a 100 V	2×10 ¹¹ Ω/cuadrado, tiempo de descarga <2 segundos de 1 000 V a 100 V
Escala de aumentos (equipamiento básico)	6.3×–30×	6.3×–40×	6.3×–40×	6.3×–40×
Resolución máx.	372 lp/mm	432 lp/mm	432 lp/mm	432 lp/mm
Apertura numérica máx.	0.124	0.144	0.144	0.144
Distancia de trabajo (equipamiento básico)	110 mm	110 mm	110 mm	110 mm
Diámetro del campo visual Ø	36.5 mm	36.5 mm	36.5 mm	36.5 mm
Limitadores de zoom ajustables		2	2	2
Tubo de vídeo/fotografía, conmutable				100 % visual o 100 % vídeo/foto y 100 % visual en el ocular izquierdo
Fotografía con luz coaxial				Sí
Objetivos estándar, sin plomo	Objetivos acromáticos 0.32×, 0.5×, 0.63×, 0.75×, 1.6×, 2.0×	Objetivos acromáticos 0.32×, 0.5×, 0.63×, 0.75×, 1.6×, 2.0×	Objetivos acromáticos 0.32×, 0.5×, 0.63×, 0.75×, 1.6×, 2.0×	Objetivos acromáticos 0.32×, 0.5×, 0.63×, 0.75×, 1.6×, 2.0×
ErgoObjetivos™	0.6×–0.75×/77–137 mm	0.6×–0.75×/77–137 mm	0.6×–0.75×/77–137 mm	0.6×–0.75×/77–137 mm
Objetivos ajustables	0.3×–0.4×/200–350 mm	0.3×–0.4×/200–350 mm	0.3×–0.4×/200–350 mm	0.3×–0.4×/200–350 mm
Oculares ergonómicos, fijos y ajustables, con protectores	10×/23, 16×/16, 20×/12	10×/23, 16×/16, 20×/12	10×/23, 16×/16, 20×/12	10×/23, 16×/16, 20×/12
Oculares ergonómicos para usuarios con gafas, regulables, con conchas de ocular	10×/23, 16×/15, 25×/9.5, 40×/6	10×/23, 16×/15, 25×/9.5, 40×/6	10×/23, 16×/15, 25×/9.5, 40×/6	10×/23, 16×/15, 25×/9.5, 40×/6
Distancia interpupilar	55–75 mm	55–75 mm	55–75 mm	55–75 mm

StereoZoom® es una marca registrada en el Registro de Marcas y Patentes de EE. UU. (US Patent and Trademark Office).

Accesorios

Leica S8 APO	Estativos, iluminaciones
Greenough 12° utilizando la pieza central del objetivo con la mejor corrección	Estativos de episcopía Antiestático y terminador (disipador)
8:1, apocromático	Mandos de enfoque Enfoque aproximado, preciso, inclinable para aplicaciones OEM (uniones), facilidad de movimiento ajustable
38°	Gama de enfoque 135 mm
Antiestático	Portamicroscopios Portaóptica rotativo 360°
2×10 ¹¹ Ω/cuadrado, tiempo de descarga <2 segundos de 1 000 V a 100 V	Estativos de brazo móvil <ul style="list-style-type: none"> • Estativo de brazo móvil con descarga electrostática • Estativo de brazo móvil estándar con brazo horizontal de marcha suave (cojinete de bolillas) • Estativo de brazo móvil grande con brazo horizontal de sencillo deslizamiento y manivela para un cómodo ajuste de la altura
10×–80×	FlexArm Para montaje en la fijación de la platina
600 lp/mm	Estativo de episcopía LED2000 Estativo con iluminación de LED de episcopía integrada (en forma de anillo y de arco)
0.2	Estativos de diascopía Leica TL3000 ST: Campo claro y campo oscuro unilateral – TL4000 BDF: Campo claro y campo oscuro circular – TL4000 RC/RCI™: Campo claro, campo oscuro unilateral, contraste Rottermann – TL5000 Ergo: Campo claro, campo oscuro bilateral, contraste Rottermann
75 mm	Estativo de diascopía LED2500 Estativo con iluminación de diodo luminoso de episcopía integrada (en forma de anillo y de arco) e iluminación diascópica
23 mm	Platinas Platina deslizante, platina de cubeta, polarizador
2	Iluminación <ul style="list-style-type: none"> • Anillo de luz Leica LED3000 RL • Iluminación casi vertical Leica LED3000 NVI • Iluminación de luz focal Leica LED3000 SLI • Iluminación multicontraste Leica LED3000 MCI • Iluminación backlight Leica LED3000 BLI • Iluminación difusa Leica LED3000 DI • Fuente de luz fría para acoplar al estativo Leica KL300 LED • Varios cables de fibra óptica • Accesorios para luz coaxial, vertical y diascópica • Leica LED1000 (pieza para anillo, foco y diascopía)
100 % visual o 100 % vídeo/foto y 100 % visual en el ocular izquierdo	
Sí	
Apocromático 0.63×, 1.6×, 2.0× acromático 0.32×	
	Accesorios
	Retículos para mediciones longitudinales y cuentas
	Observación vertical/oblicua (modelos S4 E/S6) Vista lateral completa 45° del espécimen
	Cristal protector del objetivo Protege contra la suciedad y los daños
	Sistemas de grabación de imagen digital (S6 D/S8 APO) Varios sistemas de grabación de imagen digital para rutina o aplicaciones complejas, línea de cámaras Leica DFC FireWire
10×/23, 16×/15, 25×/9.5, 40×/6	Software de archivo y procesamiento de imágenes <ul style="list-style-type: none"> • Leica Application Suite (LAS): Anotación extendida, Mediciones interactivas, Mediciones en vivo, Montaje, Tiempo múltiple, Retículo, Compartir por Web
55–75 mm	Vídeo (S6 D/S8 APO) Varios objetivos de vídeo y adaptadores para cámaras CCD comerciales

StereoZoom® para datos ópticos Leica S4 E, S6 E, S6, S6 D

				Con objetivos adicionales									
				0.32x		0.5x		0.63x		0.75x		1.6x	
Distancia de trabajo		110 mm		300 mm		200 mm		155 mm		130 mm		55 mm	
Oculares	Posición de zoom	Aumen- to total	Campo visual mm	Aumen- to total	Campo visual mm	Aumen- to total	Campo visual mm	Aumen- to total	Campo visual mm	Aumen- to total	Campo visual mm	Aumen- to total	Campo visual mm
10x/23 10 447 130 10 447 131 10 447 136 10 447 137	0.63	6.3	36.5	2.0	115.0	3.2	71.9	4.0	57.5	4.7	48.9	10.1	22.8
	0.8	8.0	28.8	2.6	88.5	4.0	57.5	5.0	46.0	6.0	38.3	12.8	18.0
	1.0	10.0	23.0	3.2	71.9	5.0	46.0	6.3	36.5	7.5	30.7	16.0	14.4
	1.25	12.5	18.4	4.0	57.5	6.3	36.5	7.9	29.1	9.4	24.5	20.0	11.5
	1.6	16.0	14.4	5.1	45.1	8.0	28.8	10.1	22.8	12.0	19.2	25.6	9.0
	2.0	20.0	11.5	6.4	35.9	10.0	23.0	12.6	18.3	15.0	15.3	32.0	7.2
	2.5	25.0	9.2	8.0	28.8	12.5	18.4	15.8	14.6	18.8	12.2	40.0	5.8
	3.0	30.0	7.67	9.6	24.0	15.0	15.3	18.9	12.2	22.5	10.2	48.0	4.79
3.2*	32.0	7.2	10.2	22.5	16.0	14.4	20.2	11.4	24.0	9.6	51.2	4.5	
4.0*	40.0	5.8	12.8	18.0	20.0	11.5	25.2	9.1	30.0	7.7	64.0	3.6	
16x/16 10 447 132 10 447 133	0.63	10.1	25.3	3.2	80.0	5.0	51.2	6.4	40.0	7.6	33.7	16.1	15.9
	0.8	12.8	20.0	4.1	62.4	6.4	40.0	8.1	31.6	9.6	26.7	20.5	12.5
	1.0	16.0	16.0	5.1	50.2	8.0	32.0	10.1	25.3	12.0	21.3	25.6	10.0
	1.25	20.0	12.8	6.4	40.0	10.0	25.6	12.6	20.3	15.0	17.1	32.0	8.0
	1.6	25.6	10.0	8.2	31.2	12.8	20.0	16.1	15.9	19.2	13.3	41.0	6.2
	2.0	32.0	8.0	10.2	25.1	16.0	16.0	20.2	12.7	24.0	10.7	51.2	5.0
	2.5	40.0	6.4	12.8	20.0	20.0	12.8	25.2	10.2	30.0	8.5	64.0	4.0
	3.0	48.0	5.33	15.4	16.7	24.0	10.7	30.2	8.47	36.0	7.11	76.8	3.33
3.2*	51.2	5.0	16.4	15.6	25.6	10.0	32.3	7.9	38.4	6.7	81.9	3.1	
4.0*	64.0	4.0	20.5	12.5	32.0	8.0	40.3	6.4	48.0	5.3	102.4	2.5	
16x/15 B 10 447 138 10 447 139	0.63	10.1	23.8	3.2	74.0	5.0	47.6	6.4	37.8	7.6	31.7	16.1	14.9
	0.8	12.8	18.8	4.1	58.6	6.4	37.5	8.1	29.8	9.6	25.0	20.5	11.7
	1.0	16.0	15.0	5.1	46.9	8.0	30.0	10.1	23.8	12.0	20.0	25.6	9.4
	1.25	20.0	12.0	6.4	37.5	10.0	24.0	12.6	19.0	15.0	16.0	32.0	7.5
	1.6	25.6	9.4	8.2	29.3	12.8	18.8	16.1	14.9	19.2	12.5	41.0	5.8
	2.0	32.0	7.5	10.2	23.4	16.0	15.0	20.2	11.9	24.0	10.0	51.2	4.7
	2.5	40.0	6.0	12.8	18.8	20.0	12.0	25.2	9.5	30.0	8.0	64.0	3.8
	3.0	48.0	5.0	15.4	15.6	24.0	10.0	30.2	7.94	36.0	6.67	76.8	3.13
3.2*	51.2	4.7	16.4	14.6	25.6	9.4	32.3	7.4	38.4	6.2	81.9	2.9	
4.0*	64.0	3.8	20.5	11.7	32.0	7.5	40.3	5.9	48.0	5.0	102.4	2.3	
20x/12 10 447 134 10 447 135	0.63	12.6	19.0	4.0	60.0	6.3	38.1	7.9	30.4	9.5	25.3	20.2	11.9
	0.8	16.0	15.0	5.1	47.1	8.0	30.0	10.1	23.8	12.0	20.0	25.6	9.4
	1.0	20.0	12.0	6.4	37.5	10.0	24.0	12.6	19.0	15.0	16.0	32.0	7.5
	1.25	25.0	9.6	8.0	30.0	12.5	19.2	15.8	15.2	18.8	12.8	40.0	6.0
	1.6	32.0	7.5	10.2	23.5	16.0	15.0	20.2	11.9	24.0	10.0	51.2	4.7
	2.0	40.0	6.0	12.8	18.8	20.0	12.0	25.2	9.5	30.0	8.0	64.0	3.8
	2.5	50.0	4.8	16.0	15.0	25.0	9.6	31.5	7.6	37.5	6.4	80.0	3.0
	3.0	60.0	4.0	19.2	12.5	30.0	8.0	37.8	6.35	45.0	5.33	96.0	2.5
3.2*	64.0	3.8	20.5	11.7	32.0	7.5	40.3	6.0	48.0	5.0	102.4	2.3	
4.0*	80.0	3.0	25.6	9.4	40.0	6.0	50.4	4.8	60.0	4.0	128.0	1.9	
25x/9.5 B 10 450 632	0.63	15.8	15.0	5.0	47.5	7.9	30.1	9.9	24.0	11.8	20.1	25.2	9.4
	0.8	20.0	11.9	6.4	37.1	10.0	23.8	12.6	18.8	15.0	15.8	32.0	7.4
	1.0	25.0	9.5	8.0	29.7	12.5	19.0	15.8	15.0	18.8	12.6	40.0	5.9
	1.25	31.3	7.6	10.0	23.8	15.6	15.2	19.7	12.1	23.4	10.1	50.0	4.8
	1.6	40.0	5.9	12.8	18.6	20.0	11.9	25.2	9.4	30.0	7.9	64.0	3.7
	2.0	50.0	4.8	16.0	14.8	25.0	9.5	31.5	7.5	37.5	6.3	80.0	3.0
	2.5	62.5	3.8	20.0	11.9	31.3	7.6	39.4	6.0	46.9	5.1	100.0	2.4
	3.0	75.0	3.17	24.0	9.9	37.5	6.33	47.3	5.03	56.3	4.22	120.0	1.98
3.2*	80.0	3.0	25.6	9.3	40.0	5.9	50.4	4.7	60.0	4.0	128.0	1.9	
4.0*	100.0	2.4	32.0	7.4	50.0	4.8	63.0	3.8	75.0	3.2	160.0	1.5	
40x/6 B 10 450 633	0.63	25.2	9.5	8.1	29.6	12.6	19.0	15.9	15.1	18.9	12.7	40.3	6.0
	0.8	32.0	7.5	10.2	23.5	16.0	15.0	20.2	11.9	24.0	10.0	51.2	4.7
	1.0	40.0	6.0	12.8	18.8	20.0	12.0	25.2	9.5	30.0	8.0	64.0	3.8
	1.25	50.0	4.8	16.0	15.0	25.0	9.6	31.5	7.6	37.5	6.4	80.0	3.0
	1.6	64.0	3.8	20.5	11.7	32.0	7.5	40.3	6.0	48.0	5.0	102.4	2.3
	2.0	80.0	3.0	25.6	9.4	40.0	6.0	50.4	4.8	60.0	4.0	128.0	1.9
	2.5	100.0	2.4	32.0	7.5	50.0	4.8	63.0	3.8	75.0	3.2	160.0	1.5
	3.0	120.0	2.0	38.4	6.25	60.0	4.0	75.6	3.17	90.0	2.67	192.0	1.25
3.2*	128.0	1.9	41.0	5.9	64.0	3.8	80.6	3.0	96.0	2.5	204.8	1.2	
4.0*	160.0	1.5	51.2	4.7	80.0	3.0	100.8	2.4	120.0	2.0	256.0	0.9	

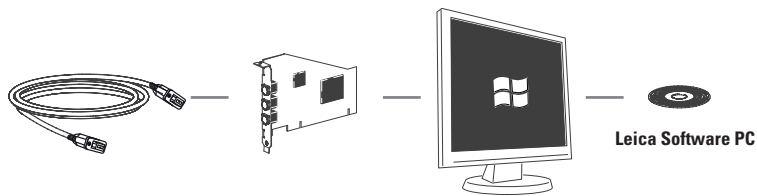
* Posición de zoom 4.0 y 3.2 solo para modelos S6

Con objetivos adicionales													
2.0x		0.3x–0.4x		0.3x–0.4x		0.6x–0.75x		0.6x–0.75x		0.7x–1.0x		0.7x–1.0x	
35 mm		200 mm		350 mm		77 mm		137 mm		48 mm		98 mm	
Aumen- to total	Campo visual mm	Aumen- to total	Campo visual mm	Aumen- to total	Campo visual mm	Aumen- to total	Campo visual mm	Aumen- to total	Campo visual mm	Aumen- to total	Campo visual mm	Aumen- to total	Campo visual mm
12.6	18.3	2.5	92.0	1.8	127.8	4.7	48.9	3.5	65.7	6.2	37.1	4.5	51.1
16.0	14.4	3.1	74.2	2.2	104.5	6.0	38.3	4.5	51.1	7.9	29.1	5.7	40.4
20.0	11.5	3.9	59.0	2.8	82.1	7.5	30.7	5.6	41.1	9.9	23.2	7.1	32.4
25.0	9.2	4.9	46.9	3.5	65.7	9.4	24.5	7.0	32.9	12.4	18.5	8.9	25.8
32.0	7.2	6.2	37.1	4.5	51.1	12.0	19.2	9.0	25.6	15.8	14.6	11.4	20.2
40.0	5.8	7.8	29.5	5.6	41.1	15.0	15.3	11.2	20.5	19.8	11.6	14.2	16.2
50.0	4.6	9.8	23.5	7.0	32.9	18.8	12.2	14.0	16.4	24.8	9.3	17.8	12.9
60.0	3.83	11.7	19.7	8.4	27.4	22.5	10.2	16.8	13.7	29.7	7.74	21.3	10.8
64.0	3.6	12.5	18.4	9.0	25.6	24.0	9.6	17.9	12.8	31.7	7.3	22.7	10.1
80.0	2.9	15.6	14.7	11.2	20.5	30.0	7.7	22.4	10.3	39.6	5.8	28.4	8.1
20.2	12.7	3.9	65.6	2.8	91.4	7.6	33.7	5.6	45.7	10.0	25.6	7.2	35.6
25.6	10.0	5.0	51.2	3.6	71.1	9.6	26.7	7.2	35.6	12.7	20.2	9.1	28.1
32.0	8.0	6.2	41.3	4.5	56.9	12.0	21.3	9.0	28.4	15.8	16.2	11.4	22.5
40.0	6.4	7.8	32.8	5.6	45.7	15.0	17.1	11.2	22.9	19.8	12.9	14.2	18.0
51.2	5.0	10.0	25.6	7.2	35.6	19.2	13.3	14.3	17.9	25.3	10.1	18.2	14.1
64.0	4.0	12.5	20.5	9.0	28.4	24.0	10.7	17.9	14.3	31.7	8.1	22.7	11.3
80.0	3.2	15.6	16.4	11.2	22.9	30.0	8.5	22.4	11.4	39.6	6.5	28.4	9.0
96.0	2.67	18.7	13.7	13.4	19.0	36.0	7.11	26.9	9.52	47.5	5.39	34.1	7.51
102.4	2.5	20.0	12.8	14.3	17.9	38.4	6.7	28.7	8.9	50.7	5.0	36.4	7.0
128.0	2.0	25.0	10.2	17.9	14.3	48.0	5.3	35.8	7.2	63.4	4.0	45.4	5.6
20.2	11.9	3.9	61.5	2.8	85.7	7.6	31.6	5.6	42.9	10.0	24.0	7.2	33.3
25.6	9.4	5.0	48.0	3.6	66.6	9.6	25.0	7.2	33.3	12.7	18.9	9.1	26.4
32.0	7.5	6.2	38.7	4.5	53.4	12.0	20.0	9.0	26.7	15.8	15.2	11.4	21.0
40.0	6.0	7.8	30.8	5.6	42.9	15.0	16.0	11.2	21.4	19.8	12.1	14.2	16.9
51.2	4.7	10.0	24.0	7.2	33.3	19.2	12.5	14.3	16.8	25.3	9.5	18.2	13.2
64.0	3.8	12.5	19.2	9.0	26.7	24.0	10.0	17.9	13.4	31.7	7.6	22.7	10.6
80.0	3.0	15.6	15.4	11.2	21.4	30.0	8.0	22.4	10.7	39.6	6.1	28.4	8.5
96.0	2.5	18.7	12.8	13.4	17.9	36.0	6.67	26.9	8.93	47.5	5.05	34.1	7.04
102.4	2.3	20.0	12.0	14.3	16.8	38.4	6.2	28.7	8.4	50.7	4.7	36.4	6.6
128.0	1.9	25.0	9.6	17.9	13.4	48.0	5.0	35.8	6.8	63.4	3.8	45.4	5.3
25.2	9.5	4.9	49.0	3.5	68.6	9.5	25.3	7.1	33.8	12.5	19.2	8.9	27.0
32.0	7.5	6.2	38.7	4.5	53.3	12.0	20.0	9.0	26.7	15.8	15.2	11.4	21.1
40.0	6.0	7.8	30.8	5.6	42.9	15.0	16.0	11.2	21.4	19.8	12.1	14.2	16.9
50.0	4.8	9.8	24.5	7.0	34.3	18.8	12.8	14.0	17.1	24.8	9.7	17.8	13.5
64.0	3.8	12.5	19.2	9.0	26.7	24.0	10.0	17.9	13.4	31.7	7.6	22.7	10.6
80.0	3.0	15.6	15.4	11.2	21.4	30.0	8.0	22.4	10.7	39.6	6.1	28.4	8.5
100.0	2.4	19.5	12.3	14.0	17.1	37.5	6.4	28.0	8.6	49.5	4.8	35.5	6.8
120.0	2.0	23.4	10.3	16.8	14.3	45.0	5.33	33.6	7.14	59.4	4.04	42.6	5.63
128.0	1.9	25.0	9.6	17.9	13.4	48.0	5.0	35.8	6.7	63.4	3.8	45.4	5.3
160.0	1.5	31.2	7.7	22.4	10.7	60.0	4.0	44.8	5.4	79.2	3.0	56.8	4.2
31.5	7.5	6.1	38.9	4.4	54.0	11.8	20.1	8.8	27.0	15.6	15.2	11.2	21.2
40.0	5.9	7.8	30.4	5.6	42.4	15.0	15.8	11.2	21.2	19.8	12.0	14.2	16.7
50.0	4.8	9.8	24.2	7.0	33.9	18.8	12.6	14.0	17.0	24.8	9.6	17.8	13.3
62.5	3.8	12.2	19.5	8.8	27.0	23.4	10.1	17.5	13.6	30.9	7.7	22.2	10.7
80.0	3.0	15.6	15.2	11.2	21.2	30.0	7.9	22.4	10.6	39.6	6.0	28.4	8.4
100.0	2.4	19.5	12.2	14.0	17.0	37.5	6.3	28.0	8.5	49.5	4.8	35.5	6.7
125.0	1.9	24.4	9.7	17.5	13.6	46.9	5.1	35.0	6.8	61.9	3.8	44.4	5.3
150.0	1.58	29.3	8.12	21.0	11.3	56.3	4.22	42.0	5.65	74.3	3.2	53.3	4.46
160.0	1.5	31.2	7.6	22.4	10.6	60.0	4.0	44.8	5.3	79.2	3.0	56.8	4.2
200.0	1.2	39.0	6.1	28.0	8.5	75.0	3.2	56.0	4.2	99.0	2.4	71.0	3.3
50.4	4.8	9.8	24.5	7.1	33.8	18.9	12.7	14.1	17.0	24.9	9.6	17.9	13.4
64.0	3.8	12.5	19.2	9.0	26.7	24.0	10.0	17.9	13.4	31.7	7.6	22.7	10.6
80.0	3.0	15.6	15.4	11.2	21.4	30.0	8.0	22.4	10.7	39.6	6.1	28.4	8.5
100.0	2.4	19.5	12.3	14.0	17.1	37.5	6.4	28.0	8.6	49.5	4.8	35.5	6.8
128.0	1.9	25.0	9.6	17.9	13.4	48.0	5.0	35.8	6.7	63.4	3.8	45.4	5.3
160.0	1.5	31.2	7.7	22.4	10.7	60.0	4.0	44.8	5.4	79.2	3.0	56.8	4.2
200.0	1.2	39.0	6.2	28.0	8.6	75.0	3.2	56.0	4.3	99.0	2.4	71.0	3.4
240.0	1.0	46.8	5.13	33.6	7.14	90.0	2.67	67.2	3.57	119.0	2.02	85.2	2.82
256.0	0.9	49.9	4.8	35.8	6.7	96.0	2.5	71.7	3.3	126.7	1.9	90.9	2.6
320.0	0.8	62.4	3.8	44.8	5.4	120.0	2.0	89.6	2.7	158.4	1.5	113.6	2.1

StereoZoom® para datos ópticos S8 APO

				Apocromático						Acromático	
				0.63x		1.6x		2.0x		0.32x	
Distancia de trabajo		75 mm		101 mm		37 mm		25 mm		200 mm	
Oculares	Posición de zoom	Aumento total	Campo visual mm	Aumento total	Campo visual mm	Aumento total	Campo visual mm	Aumento total	Campo visual mm	Aumento total	Campo visual mm
10x/23 10 447 130 10 447 131 10 447 136 10 447 137	1.0	10.0	23.0	6.3	36.5	16.0	14.4	20.0	11.5	3.2	71.9
	1.25	12.5	18.4	7.9	29.1	20.0	11.5	25.0	9.2	4.0	57.5
	1.6	16.0	14.4	10.1	22.8	25.6	9.0	32.0	7.2	5.1	45.1
	2.0	20.0	11.5	12.6	18.3	32.0	7.2	40.0	5.8	6.4	35.9
	2.5	25.0	9.2	15.8	14.6	40.0	5.8	50.0	4.6	8.0	28.8
	3.2	32.0	7.2	20.2	11.4	51.2	4.5	64.0	3.6	10.2	22.5
	4.0	40.0	5.8	25.2	9.1	64.0	3.6	80.0	2.9	12.8	18.0
	5.0	50.0	4.6	31.5	7.3	80.0	2.9	100.0	2.3	16.0	14.4
16x/16 10 447 132 10 447 133	6.3	63.0	3.7	39.7	5.8	100.8	2.3	126.0	1.8	20.2	11.4
	8.0	80.0	2.9	50.4	4.6	128.0	1.8	160.0	1.4	25.6	9.0
	1.0	16.0	16.0	10.1	25.3	25.6	10.0	32.0	8.0	5.1	43.9
	1.25	20.0	12.8	12.6	20.3	32.0	8.0	40.0	6.4	6.4	35.0
	1.6	25.6	10.0	16.1	15.9	41.0	6.2	51.2	5.0	8.2	27.3
	2.0	32.0	8.0	20.2	12.7	51.2	5.0	64.0	4.0	10.2	22.0
	2.5	40.0	6.4	25.2	10.2	64.0	4.0	80.0	3.2	12.8	17.5
	3.2	51.2	5.0	32.3	7.9	81.9	3.1	102.4	2.5	16.4	13.7
16x/15 B 10 447 138 10 447 139	4.0	64.0	4.0	40.3	6.4	102.4	2.5	128.0	2.0	20.5	10.9
	5.0	80.0	3.2	50.4	5.1	128.0	2.0	160.0	1.6	25.6	8.8
	6.3	100.8	2.5	63.5	4.0	161.3	1.6	201.6	1.3	32.3	6.9
	8.0	128.0	2.0	80.6	3.2	204.8	1.3	256.0	1.0	41.0	5.5
	1.0	16.0	15.0	10.1	23.7	25.6	9.4	32.0	7.5	5.1	41.2
	1.25	20.0	12.0	12.6	19.0	32.0	7.5	40.0	6.0	6.4	32.8
	1.6	25.6	9.4	16.1	14.9	41.0	5.8	51.2	4.7	8.2	25.6
	2.0	32.0	7.5	20.2	11.9	51.2	4.7	64.0	3.8	10.2	20.6
20x/12 10 447 134 10 447 135	2.5	40.0	6.0	25.2	9.6	64.0	3.8	80.0	3.0	12.8	16.4
	3.2	51.2	4.7	32.3	7.4	81.9	2.9	102.4	2.3	16.4	12.8
	4.0	64.0	3.8	40.3	6.0	102.4	2.3	128.0	1.9	20.5	10.2
	5.0	80.0	3.0	50.4	4.8	128.0	1.9	160.0	1.5	25.6	8.3
	6.3	100.8	2.3	63.5	3.8	161.3	1.5	201.6	1.2	32.3	6.5
	8.0	128.0	1.9	80.6	3.0	204.8	1.2	256.0	0.9	41.0	5.2
	1.0	20.0	12.0	12.6	19.0	32.0	7.5	40.0	6.0	6.4	37.5
	1.25	25.0	9.6	15.8	15.2	40.0	6.0	50.0	4.8	8.0	30.0
25x/9.5 B 10 450 632	1.6	32.0	7.5	20.2	11.9	51.2	4.7	64.0	3.8	10.2	23.5
	2.0	40.0	6.0	25.2	9.5	64.0	3.8	80.0	3.0	12.8	18.8
	2.5	50.0	4.8	31.5	7.6	80.0	3.0	100.0	2.4	16.0	15.0
	3.2	64.0	3.8	40.3	6.0	102.4	2.3	128.0	1.9	20.5	11.7
	4.0	80.0	3.0	50.4	4.8	128.0	1.9	160.0	1.5	25.6	9.4
	5.0	100.0	2.4	63.0	3.8	160.0	1.5	200.0	1.2	32.0	7.5
	6.3	126.0	1.9	79.4	3.0	201.6	1.2	252.0	1.0	40.3	6.0
	8.0	160.0	1.5	100.8	2.4	256.0	0.9	320.0	0.8	51.2	4.7
40x/6 B 10 450 633	1.0	25.0	9.5	15.8	15.0	40.0	5.9	50.0	4.8	8.0	29.7
	1.25	31.3	7.6	19.7	12.1	50.0	4.8	62.5	3.8	10.0	23.8
	1.6	40.0	5.9	25.2	9.4	64.0	3.7	80.0	3.0	12.8	18.6
	2.0	50.0	4.8	31.5	7.5	80.0	3.0	100.0	2.4	16.0	14.8
	2.5	62.5	3.8	39.4	6.0	100.0	2.4	125.0	1.9	20.0	11.9
	3.2	80.0	3.0	50.4	4.7	128.0	1.9	160.0	1.5	25.6	9.3
	4.0	100.0	2.4	63.0	3.8	160.0	1.5	200.0	1.2	32.0	7.4
	5.0	125.0	1.9	78.8	3.0	200.0	1.2	250.0	1.0	40.0	5.9
40x/6 B 10 450 633	6.3	157.5	1.5	99.2	2.4	252.0	0.9	315.0	0.8	50.4	4.7
	8.0	200.0	1.2	126.0	1.9	320.0	0.7	400.0	0.6	64.0	3.7
	1.0	40.0	6.0	25.2	9.5	64.0	3.8	80.0	3.0	12.8	18.8
	1.25	50.0	4.8	31.5	7.6	80.0	3.0	100.0	2.4	16.0	15.0
	1.6	64.0	3.8	40.3	6.0	102.4	2.3	128.0	1.9	20.5	11.7
	2.0	80.0	3.0	50.4	4.8	128.0	1.9	160.0	1.5	25.6	9.4
	2.5	100.0	2.4	63.0	3.8	160.0	1.5	200.0	1.2	32.0	7.5
	3.2	128.0	1.9	80.6	3.0	204.8	1.2	256.0	0.9	41.0	5.9
40x/6 B 10 450 633	4.0	160.0	1.5	100.8	2.4	256.0	0.9	320.0	0.8	51.2	4.7
	5.0	200.0	1.2	126.0	1.9	320.0	0.8	400.0	0.6	64.0	3.8
	6.3	252.0	1.0	158.8	1.5	403.2	0.6	504.0	0.5	80.6	3.0
	8.0	320.0	0.8	201.6	1.2	512.0	0.5	640.0	0.4	102.4	2.3

DESCRIPCIONES DE LOS ARTÍCULOS

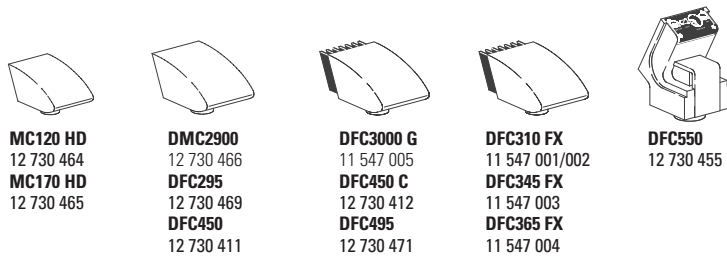


Cable

11 600 269, FW-b-b
11 600 254, FW-a-b
12 730 211, cable HDMI
12 730 496, cable USB3

Tarjetas FireWire

12 730 446, FW-b, Kit de ordenador portátil
12 730 447, FW-b, PCI-Express
12 730 495, USB3, PCI-Expr



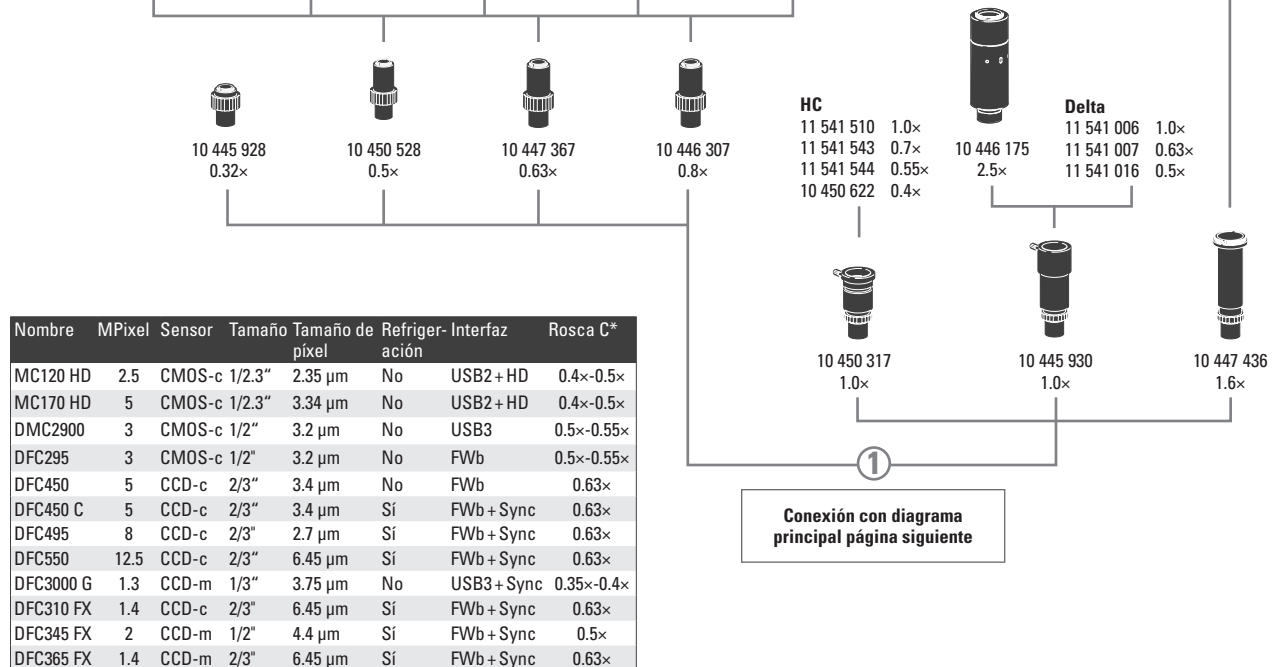
MC120 HD
12 730 464
MC170 HD
12 730 465

DMC2900
12 730 466
DFC295
12 730 469
DFC450
12 730 411

DFC3000 G
11 547 005
DFC450 C
12 730 412
DFC495
12 730 471

DFC310 FX
11 547 001/002
DFC345 FX
11 547 003
DFC365 FX
11 547 004

DFC550
12 730 455



Nombre	MPixel	Sensor	Tamaño sensor	Tamaño de píxel	Refrigeración	Interfaz	Rosca C*
MC120 HD	2.5	CMOS-c	1/2.3"	2.35 µm	No	USB2+HD	0.4x-0.5x
MC170 HD	5	CMOS-c	1/2.3"	3.34 µm	No	USB2+HD	0.4x-0.5x
DMC2900	3	CMOS-c	1/2"	3.2 µm	No	USB3	0.5x-0.55x
DFC295	3	CMOS-c	1/2"	3.2 µm	No	FWb	0.5x-0.55x
DFC450	5	CCD-c	2/3"	3.4 µm	No	FWb	0.63x
DFC450 C	5	CCD-c	2/3"	3.4 µm	Sí	FWb+Sync	0.63x
DFC495	8	CCD-c	2/3"	2.7 µm	Sí	FWb+Sync	0.63x
DFC550	12.5	CCD-c	2/3"	6.45 µm	Sí	FWb+Sync	0.63x
DFC3000 G	1.3	CCD-m	1/3"	3.75 µm	No	USB3+Sync	0.35x-0.4x
DFC310 FX	1.4	CCD-c	2/3"	6.45 µm	Sí	FWb+Sync	0.63x
DFC345 FX	2	CCD-m	1/2"	4.4 µm	Sí	FWb+Sync	0.5x
DFC365 FX	1.4	CCD-m	2/3"	6.45 µm	Sí	FWb+Sync	0.63x

-c: color / -m: monocromo / * recomendado

V1 - 2014

Cámaras digitales

12 730 464 Cámara Leica MC120 HD
12 730 465 Cámara Leica MC170 HD
12 730 466 Cámara Leica DMC2900
12 730 469 Cámara Leica DFC295
12 730 411 Cámara Leica DFC450
12 730 412 Cámara Leica DFC450 C
12 730 471 Cámara Leica DFC495
12 730 455 Cámara Leica DFC550

11 547 005 Cámara Leica DFC3000 G
11 547 002 Cámara Leica DFC310 FX
11 547 003 Cámara Leica DFC345 FX
11 547 004 Cámara Leica DFC365 FX

12 730 054 Cámara Leica IC D
12 730 216 Cámara Leica IC80 HD (cable USB y software LAS EZ) non recomendado para MZ10 F / M165 FC / M205 FA
12 730 228 Leica "módulo stand-alone" (fuente de alimentación USB, cable de vídeo, tarjeta SD, cable HDMI, control remoto HD RC) para IC80 HD
12 730 229 Interruptor manual o pedal con cable de 2 m para IC80 HD

Accesorios de los sistemas de cámaras digitales





11 600 269 Cable FireWire, FW-b-b, 2.5 m, 9 pin/9 pin
11 600 254 Cable FireWire, FW-a-b, 2.5 m, 6 pin/9 pin
12 730 211 Cable HDMI, 3 m, HDMI 2x Standard-A
12 730 496 Cable USB3, 2.5 m Standard-A - Micro-B
12 730 446 Kit de ordenador portátil FW-b (PCcard Express, PowerKit: 100 - 240 V, 24 W, adaptador FW-b-a)
12 730 447 Tarjeta exprés PCI FireWire OHCI, FW-b
12 730 495 USB3, PCI-Express

Fototubos y roscas C

10 447 319 Adaptador T2, Canon EOS
10 447 436 Adaptador 1.6x, rosca T2 para cámaras DSLR (sensor APS-C)
10 446 175 Adaptador 2.5x, rosca T2 para cámaras DSLR (sensor 24x36 mm)
10 445 928 Objetivo de vídeo 0.32x, rosca C para cámaras digitales de 1/3"
10 450 528 Objetivo de vídeo 0.5x, rosca C para cámaras digitales de 1/2"
10 447 367 Objetivo de vídeo 0.63x, rosca C para cámaras digitales de 2/3"
10 446 307 Objetivo de vídeo 0.8x, rosca C para cámaras digitales de 2/3"
10 445 930 Objetivo de vídeo /fotografía 1.0x
10 450 317 Adaptador C-Mount para HC 1.0x

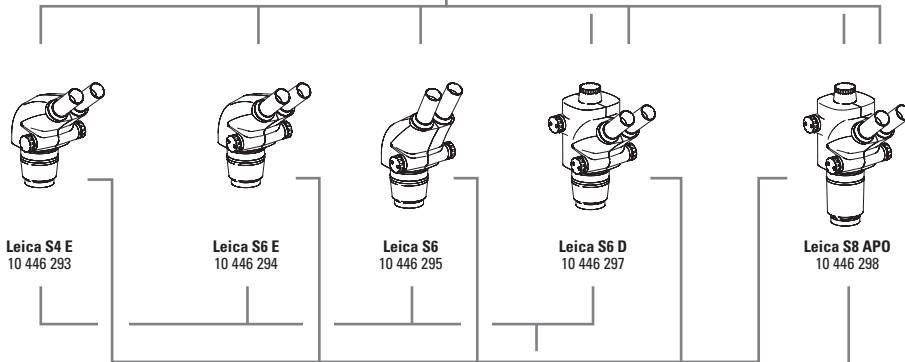
Oculares, protectores incluidos

10 447 136 10x/23B ocular para gafas, fijo
10 447 137 10x/23B ocular para gafas, ajustable*
10 447 138 16x/15B ocular para gafas, fijo
10 447 139 16x/15B ocular para gafas, ajustable*
10 447 130 10x/23 ocular, fijo
10 447 131 10x/23 ocular, ajustable*
10 447 132 16x/16 ocular, fijo

- | | | | |
|---|---|---|---|
|  |  |  |  |
| 10x
10 447 136 | 10x
10 447 137 | 10x
10 447 130 | 10x
10 447 131 |
| 16x
10 447 138 | 16x
10 447 139 | 16x
10 447 132 | 16x
10 447 133 |
| | | 20x
10 447 134 | 20x
10 4 47 135 |

Conexión con diagrama de cámara de página anterior

1



10 447 040

Serie M de alta tecnología



Soporte M50/M80, series S y Z
10 450 106



OEM 10 446 343



10 447 255



10 446 344

10 447 259

4









10 450 434





10 450 173

5


- | | | |
|---|-------|------------|
|  | 0.32x | 10 446 316 |
|  | 0.5x | 10 446 318 |
|  | 0.63x | 10 446 319 |
|  | 0.75x | 10 446 320 |
|  | 1.6x | 10 446 321 |
|  | 2.0x | 10 446 322 |


10 446 324

- | | | |
|---|-----------|------------|
|  | 0.3x-0.4x | 10 446 325 |
|---|-----------|------------|

- | | | |
|--|------------|------------|
|  | 0.6x-0.75x | 10 446 323 |
|--|------------|------------|

10 315 306

- | | | |
|---|-------|------------|
|  | 0.32x | 10 446 334 |
|---|-------|------------|

- | | | |
|---|-----------|------------|
|  | APO 0.63x | 10 446 335 |
|---|-----------|------------|

- | | | |
|---|----------|------------|
|  | APO 1.6x | 10 446 336 |
|---|----------|------------|

- | | | |
|---|----------|------------|
|  | APO 2.0x | 10 446 337 |
|---|----------|------------|

LED3000 NVI
10 450 656

LED3000 RL
10 450 271

10 450 337

10 450 338



10 450 266

- 10 447 133 16x/16 ocular, ajustable*
- 10 447 134 20x/12 ocular, fijo
- 10 447 135 20x/12 ocular, ajustable*
- * admite retículos

Microscopios estereoscópicos

- 10 446 293 Leica S4 E Stereozoom® 0.63x – 3.0x, rango de zoom 4.8:1, ángulo de observación 38°
- 10 446 294 Leica S6 E Stereozoom® 0.63x – 4.0x, rango de zoom 6.3:1, ángulo de observación 38°
- 10 446 295 Leica S6 Stereozoom® 0.63x – 4.0x, rango de zoom 6.3:1, ángulo de observación 60°
- 10 446 297 Leica S6 D Stereozoom® 0.63x – 4.0x, rango de zoom 6.3:1, ángulo de observación 38°, salida de vídeo/foto
- 10 446 298 Leica S8 APO Stereozoom® 1.0x – 8.0x con óptica de zoom con corrección apocromática, rango de zoom 8:1, ángulo de observación 38°, salida de vídeo/foto

Recambios

- 10 447 149 Protectores, par para oculares
- 10 447 150 Protectores, un par para ocular para gafas
- 10 447 326 Mandos de zoom, par, tamaño S8 APO

Objetivos S4 E, S6 E, S6, S6 D

- 10 446 316 Objetivo 0.32x, DT 300 mm (DT = distancia de trabajo)
- 10 446 318 Objetivo 0.5x, DT 200 mm
- 10 446 319 Objetivo 0.63x, DT 155 mm
- 10 446 320 Objetivo 0.75x, DT 130 mm
- 10 446 321 Objetivo 1.6x, DT 55 mm
- 10 446 322 Objetivo 2.0x, DT 35 mm
- 10 446 324 Pantalla para lente para S4/S6/S8 APO
- 10 446 325 Objetivo ajustable 0.3x – 0.4x, DT 200 – 350 mm
- 10 446 323 ErgoObjetivo 0.6x – 0.75x, DT 77 – 137 mm

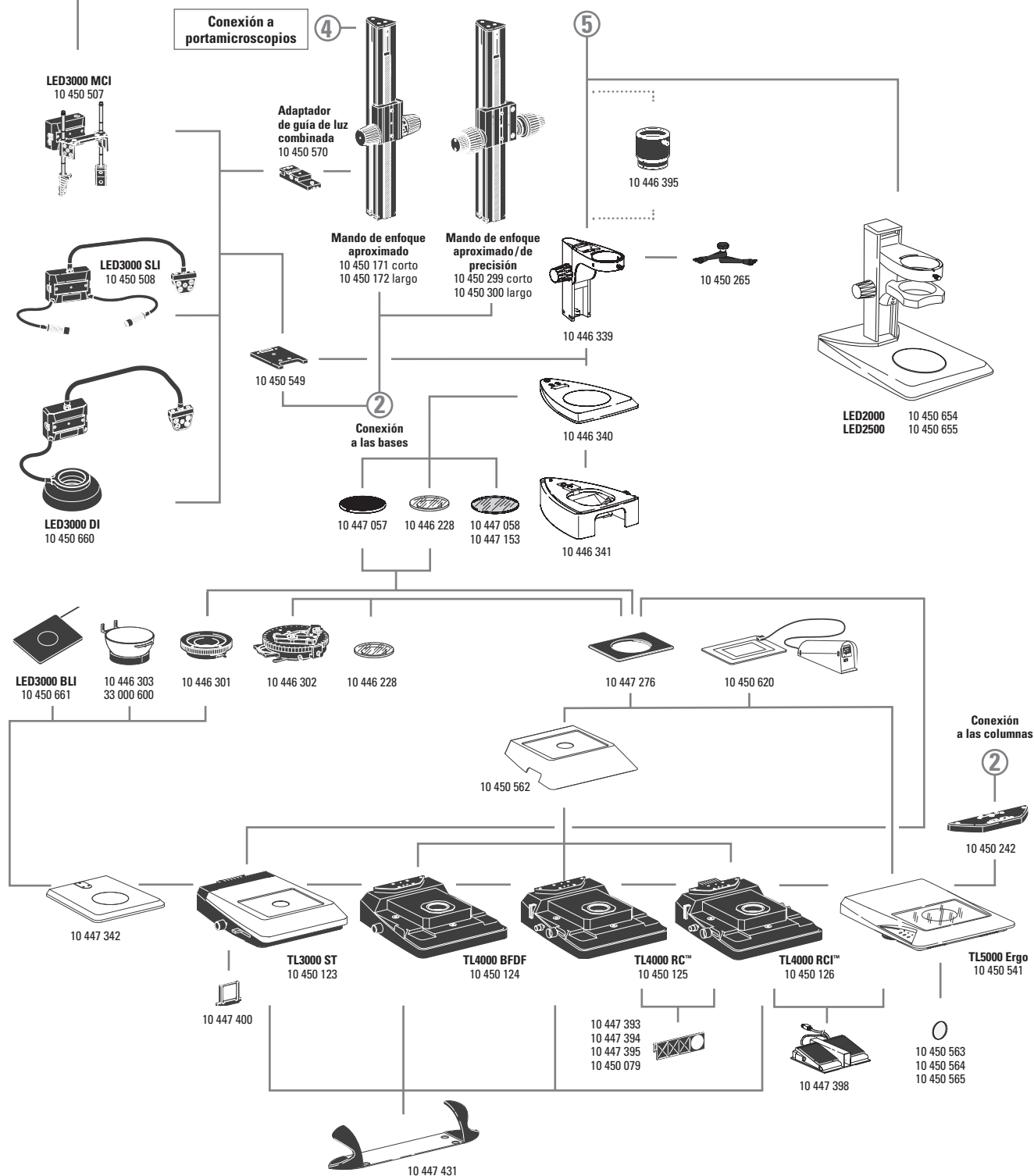
Objetivos S8 APO

- 10 446 334 Objetivo 0.32x, DT 200 mm
- 10 446 335 Objetivo apocromático 0.63x, DT 100 mm
- 10 446 336 Objetivo apocromático 1.6x, DT 37 mm
- 10 446 337 Objetivo apocromático 2.0x, DT 25 mm

Iluminación

- 10 450 271 LED3000 RL – anillo de luz, objetivos de Ø 58 mm, 24 Power LED, temperatura de color de 5 600 K, lente adicional LED optimizada, segmentos conmutables, optimizado para una distancia de trabajo de 60 – 150 mm
- 10 450 337 Set de polarización para LED3000 RL
- 10 450 338 Difusor para LED3000 RL
- 10 450 656 LED3000 NVI – Iluminación vertical para M50/M80 para la aplicación con objetivos con diámetro exterior de 58 mm
- 10 450 501 Adaptador para anillo de luz RLA 58/66 para LED3000 RL y LED3000 NVI en objetivos de Ø 66 mm
- 10 450 508 LED3000 SLI, iluminación de luz focal, fibra óptica flexible de 2 brazos con una longitud de 300 mm, 2 Power LED, temperatura de color de 5 600 K, unidad de mando en la fibra óptica flexible separada, incluye par de difusores
- 10 450 507 LED3000 MCI, iluminación multicontraste con 4 Power LED, temperatura de color de 5 700 K, escenas conmutables
- 10 450 660 LED3000 DI, iluminación difusa

Conexión a portamicroscopios



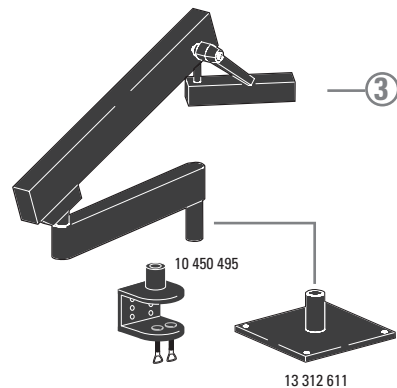
- 10 450 661 LED3000 BLI, iluminación backlight
- 10 450 549 Adaptador para LED3000 MCI & LED3000 SLI; para el montaje entre las columnas de enfoque y la placa de base
- 10 450 570 Adaptador de la guía de luz combinada en las columnas de enfoque de la Serie M para tareas rutinarias, para LED3000 SLI y LED3000 MCI
- 10 450 266 Fuente de alimentación para LED3000 / LED5000

Columnas de enfoque/brazos/soportes y accesorios

- 10 446 343 Brazo de enfoque
- 10 450 106 Portamicroscopio para M50/M80, series S y Z
- 10 447 255 Brazo de enfoque, inclinable para OEM y estativos de brazo móvil
- 10 446 344 Brazo de enfoque para columna de 25 mm
- 10 447 259 Varilla de soporte 25 mm, inclinable
- 10 450 173 Portamicroscopios para la serie M con puerto de 76 mm
- 10 447 040 Accesorio para observación vertical/oblicua para S4 E/S6
- 10 450 171 Mando de enfoque aproximado con columna perfilada 300 mm
- 10 450 172 Mando de enfoque aproximado con columna perfilada de 500 mm
- 10 450 299 Mando de enfoque aproximado/de precisión con columna perfilada de 300 mm
- 10 450 300 Mando de enfoque aproximado/de precisión con columna perfilada 500 mm
- 10 450 265 Brazo del soporte articulado; M5/ M6
- 10 450 570 Adaptador de guía de luz combinado para el montaje en la columna de enfoque
- 10 446 339 Columna de enfoque
- 10 450 434 Distanciador para columnas de enfoque rutinario en bases de alto rendimiento
- 10 446 395 Extensión de 5 cm para objetivo 0.5x para S4/S6

Bases y accesorios

- 10 446 340 Base para S4/S6/S8 APO
- 10 446 341 Subbase para diascopía
- 10 447 342 Base para episcopía con pieza de inserción
- 10 450 654 LED2000 – Base de episcopía con iluminación LED
- 10 450 123 Base de diascopía TL3000 ST
- 10 450 124 Base de diascopía TL4000 BFDF
- 10 450 125 Base de diascopía TL4000 RC™ para fuentes de luz fría externas
- 10 450 126 Base de diascopía TL4000 RCI™ con iluminación halógena interna
- 10 450 541 Base de diascopía TL5000 Ergo con iluminación LED integrada
- 10 447 269 Platina estándar para bases de diascopía TL3000 BFDF, TL4000 RC™ y TL4000 RCI™
- 10 447 400 Filtro de luz diurna para base TL3000 ST
- 10 447 393 Filtro ND (filtro gris) para base TL4000 RC™/ RCI™
- 10 447 394 Filtro BG38 para base de diascopía TL4000 RC™/RCI™
- 10 447 395 Filtro UV para base TL4000 RC™/RCI™
- 10 450 079 Filtro de luz diurna para base TL4000 RC™/TL4000 RCI™
- 10 450 563 Filtro de vidrio opalescente para TL5000 Ergo
- 10 450 564 Filtro verde para TL5000 Ergo
- 10 450 565 Filtro de polarización para TL5000 Ergo
- 10 450 242 Placa adaptadora estándar entre columna y base de diascopía
- 10 447 443 Ratón USB Leica, cinco teclas de ratón de asignación libre para la conexión a la base de diascopía TL4000 RCI™ o PC
- 10 447 398 Pedal de pie
- 10 447 431 Reposamanos Leica ErgoRest™ para trabajar sin fatigarse



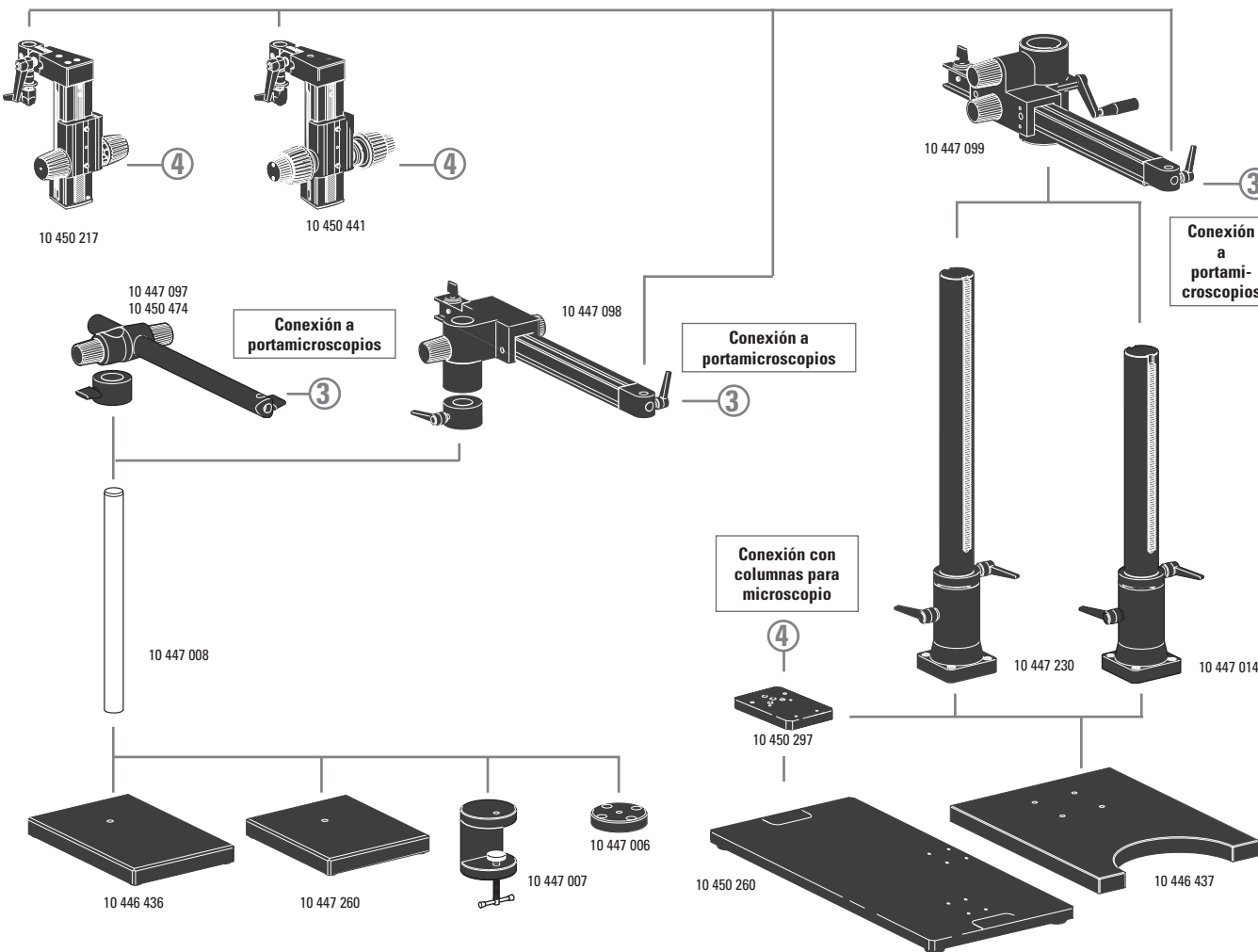
- Platinas**
- 10 446 301 Platina deslizante, 120 mm
 - 10 446 303 Platina semiesférica, interfaz 120 mm, \varnothing 100 mm
 - 33 000 600 Platina semiesférica, \varnothing 120 mm, superficie \varnothing 150 mm, giratoria
 - 10 447 058 Placa de vidrio
 - 10 447 153 Placa de vidrio, mate
 - 10 447 057 Placa para platina blanca/negra
 - 10 447 275 Placa para platina calefactora Leica MATS TL con dispositivo de control para bases TL
 - 10 447 276 Adaptador para platinas con \varnothing 120 mm

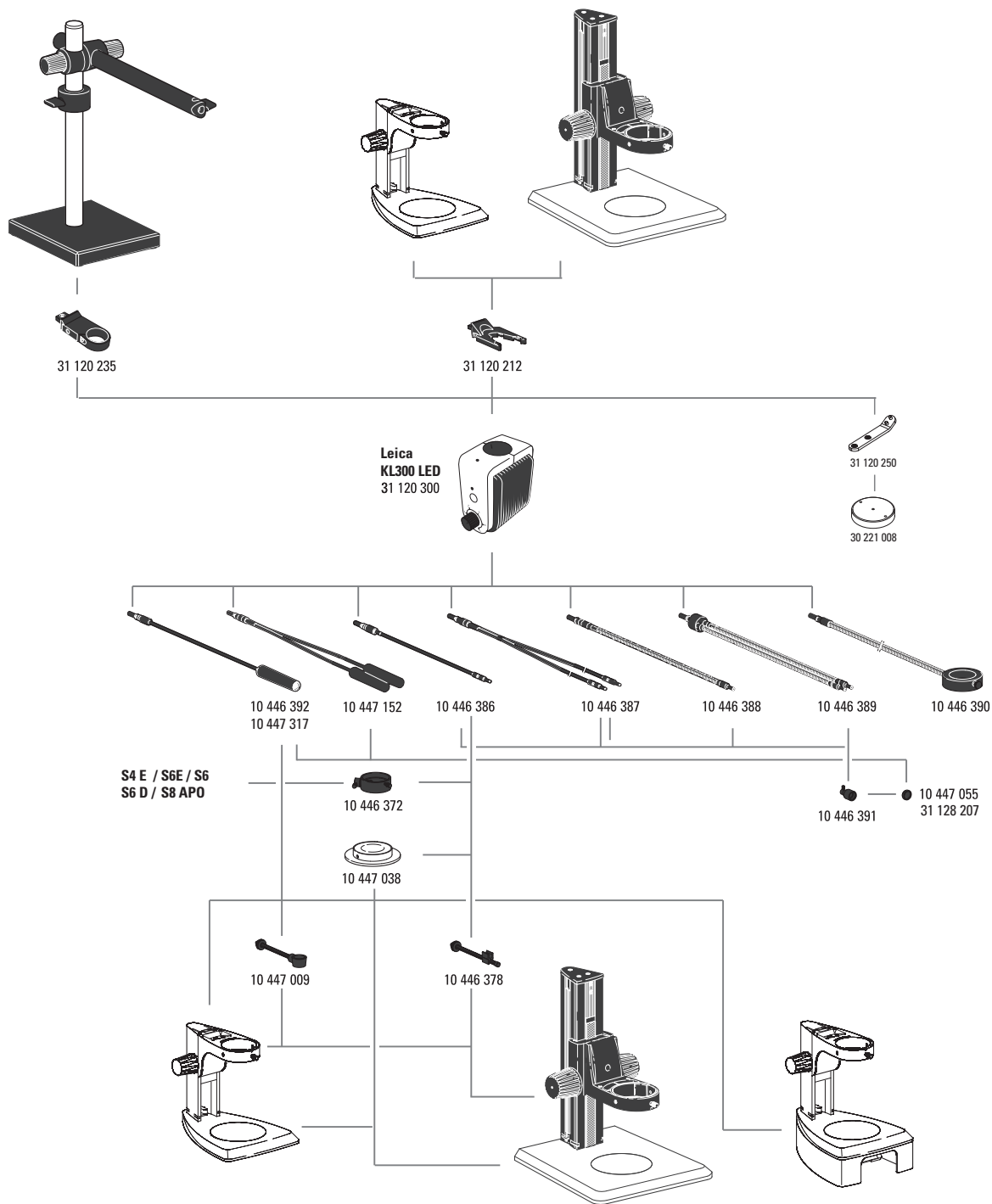
- Polarización**
- 10 446 228 Placa de vidrio con polarizador
 - 10 315 306 Analizador en montura rotativa

- Medición**
- 10 446 447 Retículo 10 mm/0.1 mm
 - 10 446 448 Retículo 5 mm/0.1 mm
 - 10 446 449 Retículo 5 mm/0.05 mm
 - 10 447 000 Retículo 100 divisiones/0.002"
 - 10 447 001 Retículo 100 divisiones/0.001"
 - 10 447 002 Retículo 150 divisiones/0.0005"
 - 10 446 450 Retículo con cruz filar
 - 10 310 345 Micrómetro para objeto, escala de 50 mm con graduación de 0.1 mm y 0.01 mm
 - 10 447 037 Micrómetro para objeto 1", graduación de 0.001"

- Estativos de brazo flexible**
- 10 450 495 Estativo de brazo flexible con pinza para platina
 - 13 312 611 Montura vertical para estativo de brazo flexible

- Estativos de brazo móvil**
- 10 447 260 Placa de base, pequeña
 - 10 446 436 Placa de base, mediana
 - 10 447 008 Columna vertical 470/35 mm
 - 10 447 097 Brazo horizontal de descarga electrostática, 500 mm
 - 10 450 474 Brazo horizontal de descarga electrostática, 290 mm
 - 10 447 098 Brazo horizontal, estándar
 - 10 447 006 Brida
 - 10 447 007 Pinza para platina
 - 10 446 437 Placa de base, grande
 - 10 447 014 Columna vertical 560/57 mm
 - 10 447 230 Columna vertical 800/57 mm
 - 10 447 099 Brazo horizontal, grande
 - 10 450 217 Mando de enfoque con columna inclinable
 - 10 450 441 Mando de enfoque aproximado/de precisión con columna inclinable
 - 10 450 260 Placa universal XL para muestras de hasta 300 x 300 mm
 - 10 450 297 Adaptador para placa universal 10 450 260 para todas las columnas de brazo móvil





Iluminación Leica KL300 LED

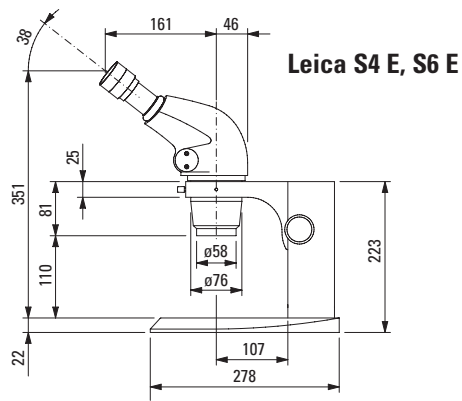
- 31 120 300 KL300 fuente de luz fría LED con fuente de alimentación
- 31 120 212 KL300 adaptador LED para columna de enfoque
- 31 120 235 KL300 adaptador LED para estativo de brazo móvil
- 31 120 250 KL300 LED, adaptador para placa de base 30 221 008
- 30 221 008 Placa de base para KL300 LED

- 10 446 392 Guía de luz universal, 600 mm
- 10 447 317 Guía de luz universal, 1 000 mm
- 10 447 152 Guía de luz universal, 2 brazos, 600 mm
- 10 446 386 Guía de luz flexible, 1 brazo, 550 mm
- 10 446 387 Guía de luz flexible, 2 brazos, 750 mm
- 10 446 388 Fibra óptica semirrígida, 1 brazo, 500 mm
- 10 446 389 Fibra óptica semirrígida, 2 brazos, 500 mm
- 10 446 390 Anillo de luz de 6 puntos, diámetro interior 58 mm, 750 mm
- 10 447 038 Dispositivo diascópico
- 10 446 391 Dispositivo de enfoque
- 10 447 055 Filtro de luz diurna para dispositivo de enfoque
- 31 128 207 Filtro de luz caliente para lente de enfoque
- 10 446 378 Brazo para guía de luz flexible
- 10 447 009 Brazo para guía de luz universal
- 10 446 372 Iluminación vertical

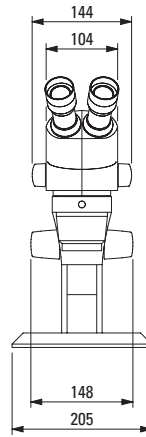
Piezas de repuesto para Leica L2

- 10 447 056 Lámpara halógena 8 V/20 W, L2
- 10 447 015 Transformador Leica L2, 90 – 250 V (fig. superior)

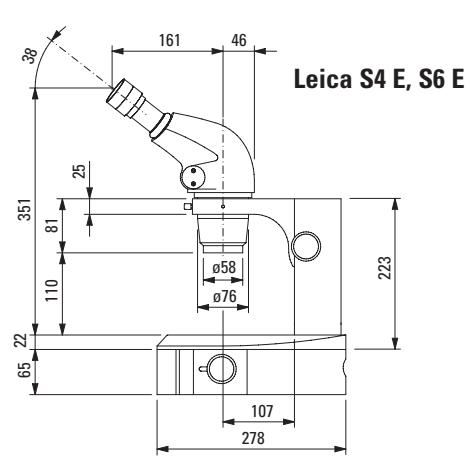
Dimensiones Leica S4 E, S6 E con estativo de episcopía



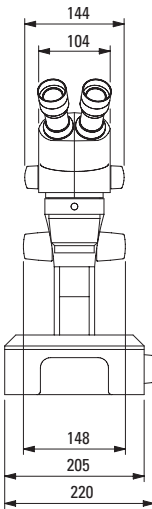
Leica S4 E, S6 E



con estativo de diascopía

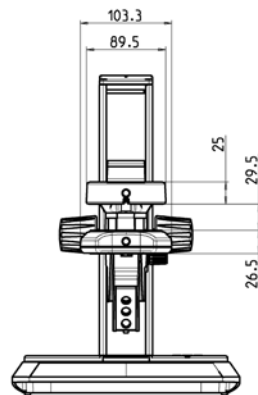
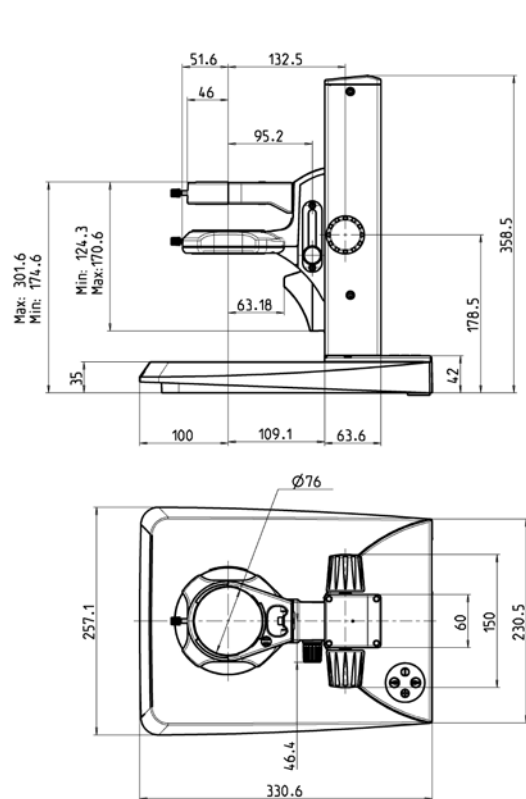


Leica S4 E, S6 E

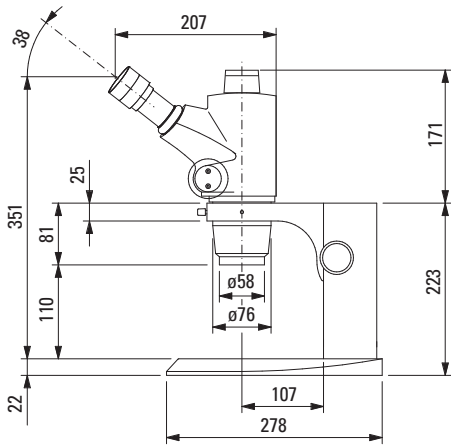


Medidas en mm

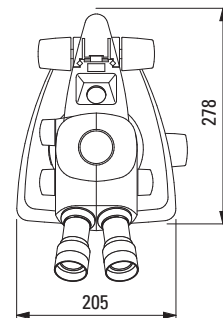
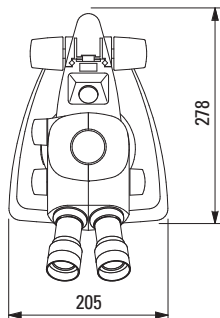
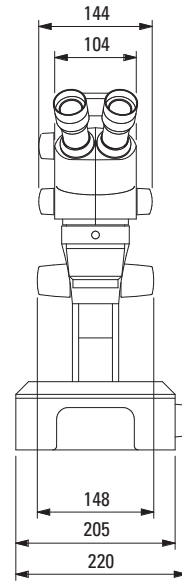
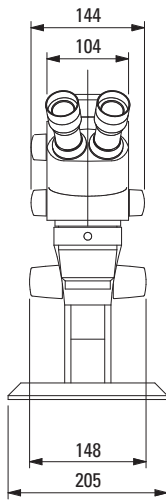
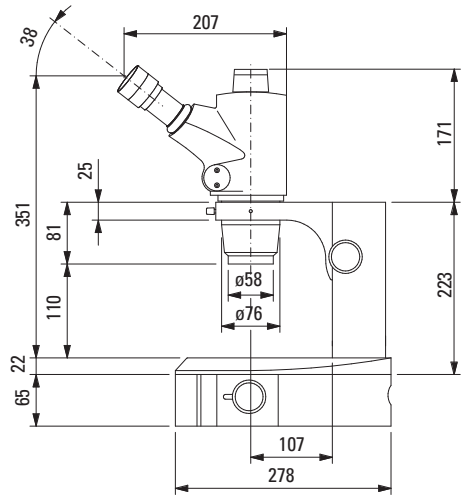
Dimensiones Leica LED2000 / Leica LED2500



Dimensiones Leica S6 D con estativo de episcopía

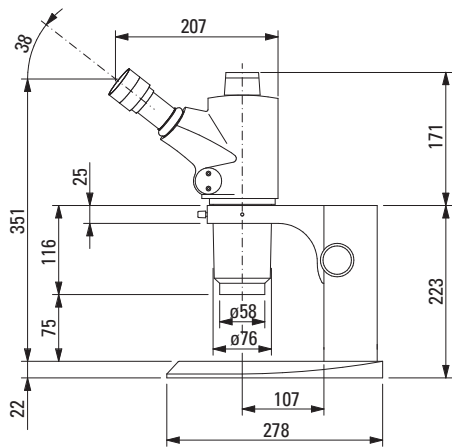


con estativo de diascopía

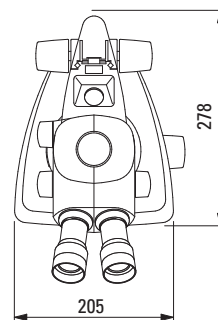
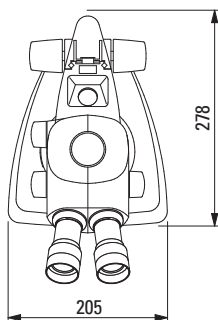
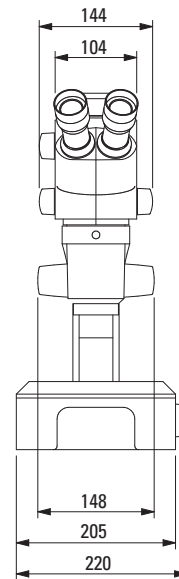
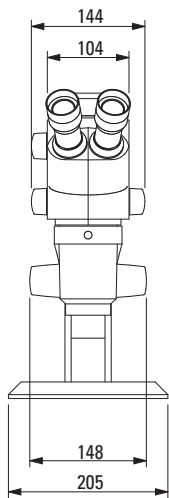
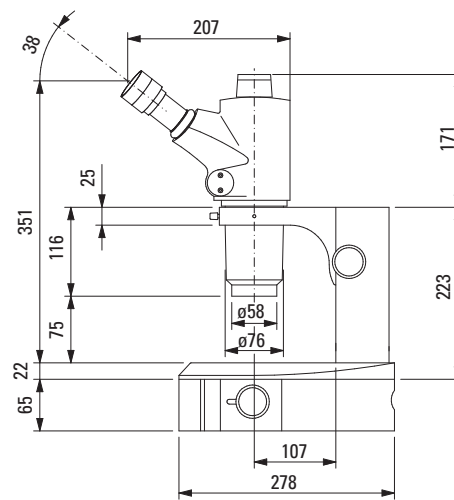


Medidas en mm

Dimensiones Leica S8 APO con estativo de episcopía



con estativo de diascopía



Medidas en mm

Folletos informativos

Todos los folletos están disponibles en alemán, inglés, francés, español e italiano. Visite también nuestra página web:

www.leica-microsystems.com

En ella encontrará la última información y las actualizaciones, así como numerosos ejemplos de aplicaciones prácticas de nuestros microscopios estereoscópicos en la industria y en la ciencia.

También puede consultar, imprimir y guardar los folletos que desee, así como los últimos manuales de instrucciones.

Microscopios estereoscópicos Greenough Leica StereoZoom® 10IDS10010

Estativos de brazo móvil	10IDA19010
Fuente de luz fría LED Leica KL300	10IDA25010
Bases Leica TL	10IDA20010
Serie de iluminación Leica Leica LED3000 / Leica LED5000	10IDA26010

Cámaras digitales y software de procesamiento/análisis de imágenes

Leica DFC295 Sistema de cámara en color FireWire	10IDC13010
Leica MC120 HD / MC170 HD	
Cámaras para microscopía digitales HD	10IDC20010
Caja informativa del software Leica LAS	10IDI12010
Cámara microscópica de alta definición integrada Leica IC80 HD	
Cámara microscópica	10IDC14010
Estativo de suelo Leica F12 I	10IDA13010

La fructífera colaboración “con el usuario, para el usuario” ha sido siempre la base del poder innovador de Leica Microsystems. Sobre esta base hemos desarrollado los cinco valores de nuestra empresa: Pioneering, High-end Quality, Team Spirit, Dedication to Science y Continuous Improvement. Darle vida a estos valores significa para nosotros: **Living up to Life**.

Leica Microsystems opera a nivel global en tres divisiones, ocupando puestos líderes del mercado.

LIFE SCIENCE DIVISION

La División de Ciencias de la Vida de Leica Microsystems satisface las necesidades de captura y procesamiento de imágenes de la comunidad científica, gracias a un elevado grado de innovación y a una gran experiencia técnica en lo que a visualización, medición y análisis de microestructuras se refiere. Nuestro gran afán por comprender las aplicaciones científicas ha propiciado que los clientes de Leica Microsystems se sitúen a la vanguardia de la investigación científica.

INDUSTRY DIVISION

El principal interés de la División de Industria de Leica Microsystems consiste en ayudar a los clientes a conseguir resultados de la mayor calidad posible, gracias a los mejores y más innovadores sistemas de captura y procesamiento de imágenes para así observar, medir y analizar las microestructuras en aplicaciones industriales tanto rutinarias como de investigación, en la ciencia de materiales y el control de calidad, en investigaciones forenses y en aplicaciones educativas.

MEDICAL DIVISION

El principal objetivo de la División Médica de Leica Microsystems es asociarse con los microcirujanos para proporcionarles asistencia en el cuidado de sus pacientes gracias a la tecnología quirúrgica de mayor calidad y más innovadora en materia de microscopía, tanto en la actualidad como en un futuro.

Leica Microsystems: una empresa con presencia internacional y una red mundial de servicios al cliente:

Contactos a nivel mundial	Tel.	Fax
Alemania · Wetzlar	+49 64 41 29 40 00	64 41 29 41 55
Australia · North Ryde	+61 2 8870 3500	2 9878 1055
Austria · Viena	+43 1 486 80 50 0	1 486 80 50 30
Bélgica · Diegem	+32 2 790 98 50	2 790 98 68
Canadá · Concord/Ontario	+1 800 248 0123	847 405 0164
Corea del Sur · Seúl	+82 2 514 65 43	2 514 65 48
Dinamarca · Ballerup	+45 4454 0101	4454 0111
EE.UU. · Buffalo Grove/Illinois	+1 800 248 0123	847 405 0164
España · Barcelona	+34 93 494 95 30	93 494 95 32
Francia · Nanterre Cedex	+33 811 000 664	1 56 05 23 23
Holanda · Rijswijk	+31 70 4132 100	70 4132 109
Inglaterra · Milton Keynes	+44 800 298 2344	1908 246312
Italia · Milan	+39 02 574 861	02 574 03392
Japón · Tokyo	+81 3 5421 2800	3 5421 2896
Suecia · Kista	+46 8 625 45 45	8 625 45 10
Portugal · Lisboa	+351 21 388 9112	21 385 4668
República Popular de China · Hong Kong	+852 2564 6699	2564 4163
· Shanghái	+86 21 6039 6000	21 6387 6698
Singapur	+65 6779 7823	6773 0628
Suiza · Heerbrugg	+41 71 726 34 34	71 726 34 44